



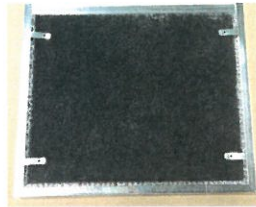
INSTALLATION INSTRUCTIONS

Ductless Conversion Kit for Models: For -3 and -4 Models ONLY

Accessory No. 5BL-39-400-DCK2

Contents:

1. Vent Cover (grill) for 3.25" x 10" ducting (Qty. 1)
2. Filter Clips (Qty. 8; use 4 per filter)
3. Charcoal Filter Pads (Qty. 2; sized for VSL436-3 or VSL436-4. See Step 2 below for trimming details for VSL430-4)
4. Includes 2 – 12"x14" Perforated Filters w/Filler Panel (1)

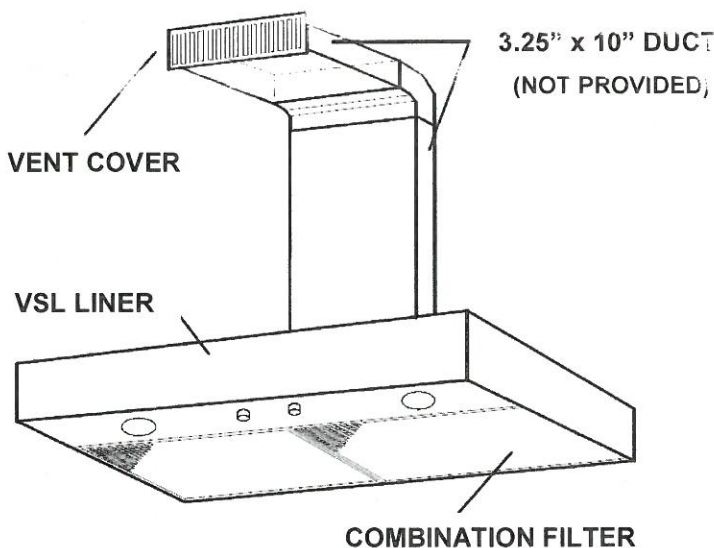


Note: Range hood ducting and metal elbows are not included in this kit. These parts are typically available at building supply companies, e.g., Home Depot, Lowe's and most heating & air conditioning supply companies.

Installation Instructions:

1. Snap the four filter clips (#2 above) over the sides of the wire-mesh filter as shown in photo #3 above. The long side of the clip goes on the topside (the charcoal side) of the wire mesh filter.
2. Place the charcoal filter on the topside of the wire mesh filter. Slip sides of charcoal filter under the long end of the filter clips. Filters for VSL430-4 (30" models) will need to have 3-inches trimmed off one side of BOTH filters. Place the charcoal filter over the wire mesh filter before trimming to be sure the correct side is cut.
3. Insert the assembled wire-mesh and charcoal filter into the liner.
4. Design of the duct for ventilation is up to the builder's discretion. The vent can be directed out the top of the cabinet (provided there is an open space between the cabinet top and the ceiling) or out the front of the cabinets.
5. Place the enclosed 3.25" X 10" vent cover (#1 above) over the duct end. Painted to suit individual décor.
6. Replace charcoal filters as needed. For best service, replace every 4 – 6 months.

Trade-Wind Manufacturing, LLC has a policy of continuous improvement and reserves the right to modify (at any time without notice) any of its product's designs, components and specifications. For exact dimensions, see the Installation Instructions included with the product.



For more information,
Please contact your dealer or Trade-Wind® representative.

800 West Grant Street Phoenix, AZ 85007
1-800-955-5737
602-900-8500
t-wusa.com