

VSL 4002RC SERIES RANGE HOOD LINERS

For those who need ventilation performance and desire the commercial style baffle filters, our VSL 4002RC Series Liner will exceed your expectations.

VSL4002RC SERIES

Experience...

REMOTE CONTROL

- Easy to operate
- Optional automatic 5 minute shut off timer



EASY CLEANING

- Dishwasher safe commercial stainless steel baffle filters
- Leading edge design is easy to clean. Eliminates grease traps
- No unsightly screws to clean around.

QUIET OPERATION

- Rubber-mounted motor & large, squirrel-cage blowers reduce sound and vibration noise (290 CFM)
- 3-speed motor control reduces blower and air movement sound
- Large, stainless steel baffle filters reduce air movement sound

ENDURING QUALITY

- Internal motor models deliver 290 CFM (300 CFM Code Compliant)
- Commercial grade stainless steel (#304 grade with #4 brush finish) and galvanized steel construction
- Oversized stainless steel baffle filters improve ventilation performance
- Two LED lights brighten cooking area (three on 48" model)

DISTINCTIVE LOW PROFILE DESIGN

- Style complements ALL custom and manufactured wood hood designs
- Electronic touch controls with blue LED back lighting, with NEW REMOTE CONTROL
- Simplicity of design preferred by home owners and builders.

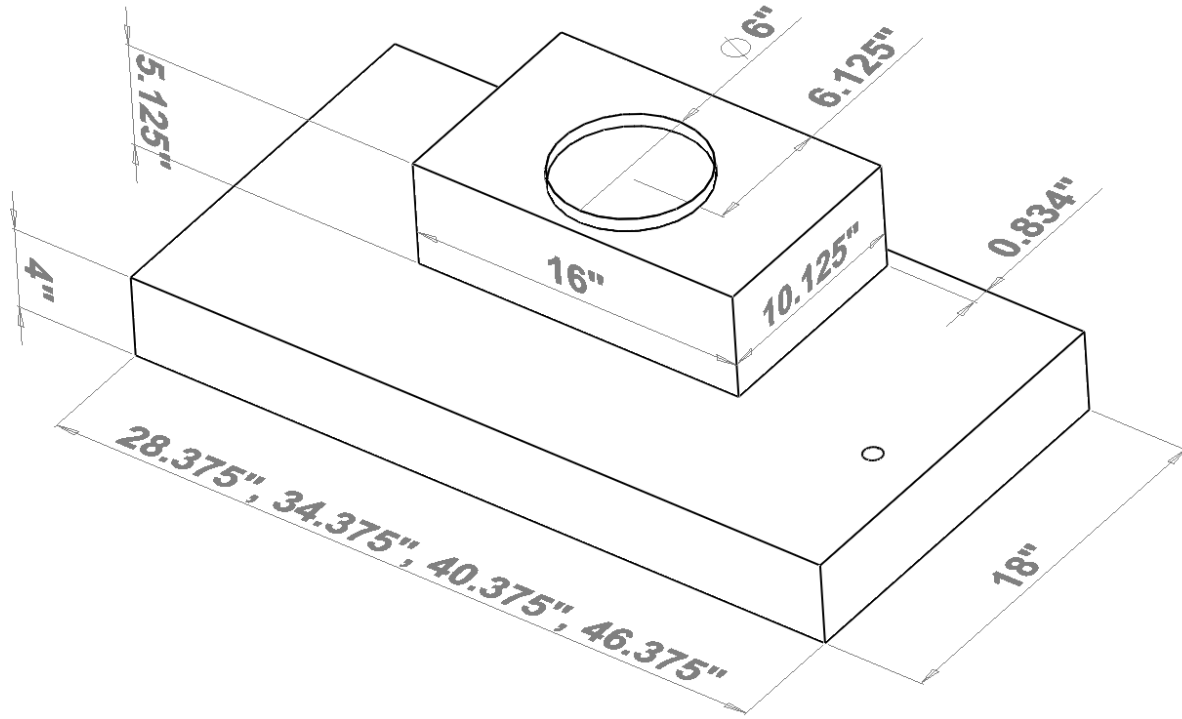
EASY INSTALLATION

- Installs easily in standard size or custom built wood range hoods
- Wiring diagram label for simple electrical connection

VSL 4002RC SERIES RANGE HOOD LINERS

Pic	CFM	Models Available (by Width)				Sones	Control	Blower
		28 ³ / ₈ "	34 ³ / ₈ "	40 ³ / ₈ "	46 ³ / ₈ "			
A	290	VSL4302RC	VSL4362RC	VSL4422RC	VSL4482RC	5	3-Speed	Internal Motor

A.



Notes:

1. Center of electrical access is 7" from front & 2 ¹/₂" from side of liner. Connection access is behind filters.
2. Vent is centered left to right. Damper is not included.

- All dimensions are nominal +/- 1/8"
- All models exhaust vertically through a 6" round duct
(For rear discharge use a 90° elbow, not provided)

Trade-Wind Manufacturing, LLC® has a policy of continuous improvements and reserves the right to modify (at any time without notice) any or all of its products, features, designs, components and specifications. For further information on installation and wiring, see the installation instructions included with the product or visit us on the web.

For more information please contact your dealer or your Trade-Wind® representative.



TRADE-WIND

800 West Grant Street Phoenix, AZ 85007
1-800-955-5737
602-900-8500
t-wusa.com



TRADE-WIND

Revised 08/01/2018

© Copyright 2018 Trade-Wind Manufacturing, LLC.

Proverbs 22:29