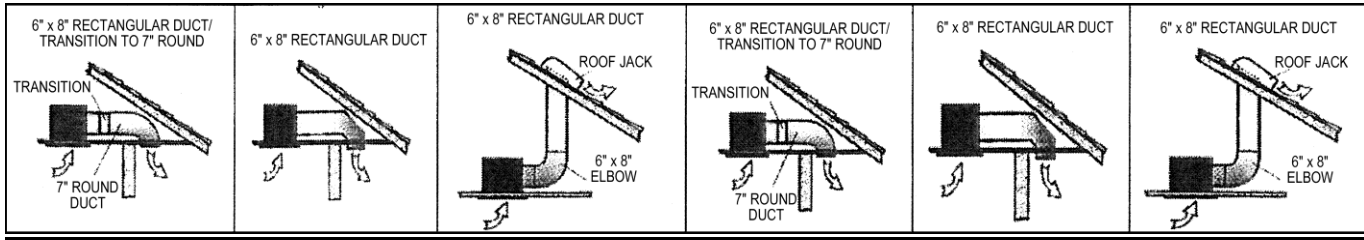


Model: VQT-200/300/400



READ AND SAVE THESE INSTRUCTIONS

Before beginning installation, please thoroughly read and become familiar with these instructions. Installation and service must be completed by a qualified installer. Failure to properly install this product may void the warranty.

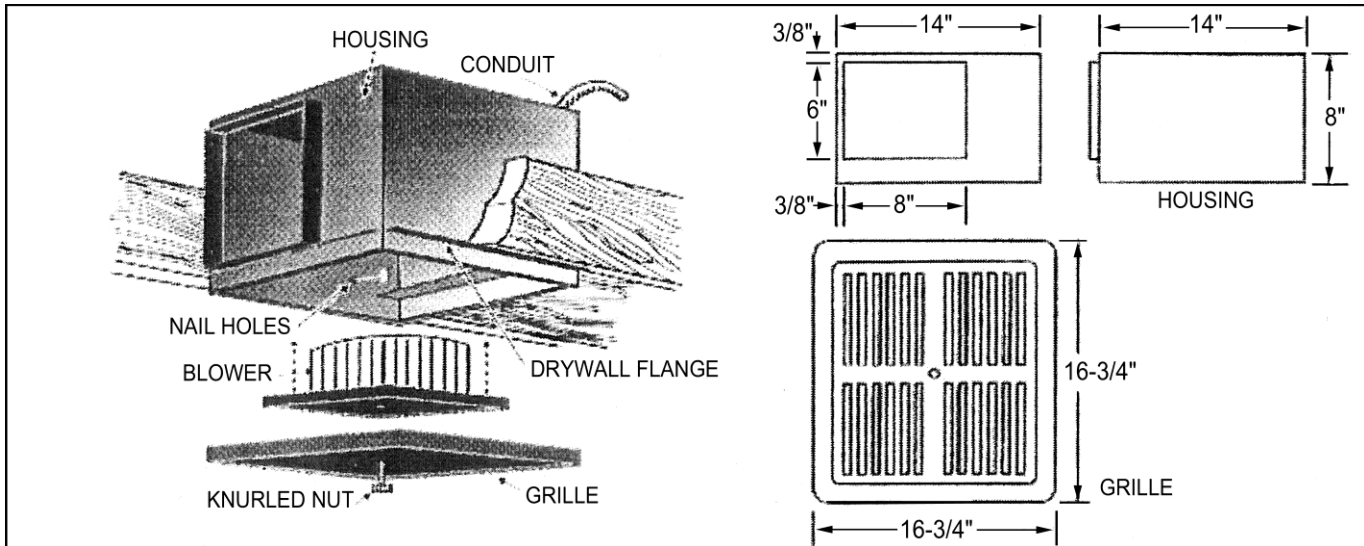
- Installer:** Please leave these installation instructions with the owner.
- Owner:** Please keep these installation instructions for local electrical inspector's use and for future reference.



WARNINGS: Must be followed carefully to avoid personal injury.



TIPS: Contain helpful information to facilitate installation.



WARNING! TO REDUCE THE RISK OF FIRE, ELECTRICAL SHOCK, OR INJURY TO PERSONS OBSERVE THE FOLLOWING:

- a) Use this unit only in the manner intended by the manufacturer. If you have any questions, please contact the manufacturer at the address or telephone number listed in the warranty.
- b) Before servicing or cleaning unit, switch power off at service panel and lock service panel and lock the service disconnection means to prevent power from being switch on accidentally. When the service disconnecting means cannot be locked, securely fasten a prominent warning device, such as a tag to the service panel.



CAUTION -- For general ventilating use only. Do not use to exhaust hazardous or explosive materials and vapors.



Recommendations:

1. Consult a licensed ventilation contractor or qualified technician for proper installation of exhaust ducting. Locate the cooking area for minimum cross drafts-away from doors and windows, when possible.
2. Ducts must be of adequate size and duct runs should be as short as possible. Where turns are necessary, keep turning radius as large and as smooth as possible.
3. The ducting must be air tight. Use a minimum of 2 sheet metal screws at every duct joint. Then, seal the duct joints with high quality duct tape.
4. Do not use this unit with any solid-state speed control device.
5. This unit must be grounded.

INSTALLATION INSTRUCTIONS

WARNING – TO REDUCE THE RISK OF FIRE, ELECTRIC SHOCK, OR INJURY TO PERSONS, OBSERVE THE FOLLOWING:

- a) Installation work and electrical wiring must be done by qualified person(s) in accordance with all applicable codes and standards, including fire-rated construction codes and standards.
- b) Sufficient air is needed for proper combustion and exhausting of gasses through the flue (chimney) of fuel burning equipment to prevent back drafting. Follow the heating equipment manufacturer's guidelines and safety standards such as those published by the National Fire Protection Association (NFPA) and the American Society for Heating, Refrigeration and Air Conditioning Engineers (ASHRAE) and the local code authorities.
- c) When cutting or drilling into wall or ceiling, do not damage electrical wiring and other hidden utilities.
- d) Ducted fans must always be vented to the outdoors.

WARNING -- TO REDUCE THE RISK OF FIRE, USE ONLY METAL DUCTWORK.

CAUTION –To reduce the risk of fire and to properly exhaust air, be sure to duct air outside – Do not vent exhaust air into spaces with in walls or ceilings or into attics, crawl spaces, or garages.

PART 1 Installation

- 1.) Mount housing between joists on centers.
- 2.) Locate bottom edge of housing flush with finish ceiling.
- 3.) Nail housing to joists.
- 4.) Turn off proper circuit at the service entrance before wiring this unit.
- 5.) Run conduit to wall switch or speed control per code.
- 6.) Install the blower panel into housing.
- 7.) Slide blower panel under 2 screws heads and snap into position.
- 8.) Secure with 4 screws provided.
- 9.) Insert plug and secure grille with knurled knob.

PART 2 Use and Care

- 1.) Remove grille, then motor and wheel assembly by removing 4 screws from blower panel.
- 2.) Disconnect plug from housing.
- 3.) Wash grille and wheel. **DO NOT ALLOW WATER TO ENTER MOTOR.** Wipe dry with soft cloth.
- 4.) Wipe out inside of housing. Reinstall motor wheel assembly and grille.



WARRANTY

TRADE-WIND Bath Fan / Exhaust Ventilation Products

What IS Covered:

Trade-Wind Manufacturing, LLC[®] warrants its **Trade-Wind**[®] Bath Fan / Exhaust Ventilation Products to the original user, to be free of defects in materials and workmanship for one (1) year from the date of purchase.

Trade-Wind Manufacturing, LLC[®] at its option, will repair or replace the complete unit or any defective component without charge. This warranty may be voided if any unauthorized service, alterations, or repairs are made to the product.

What is NOT Covered:

- Normal maintenance and service of any product that has been subject to misuse, negligence, accident, or installation inconsistent with the recommended **Trade-Wind**[®] Installation Instructions and **Trade-Wind**[®] Best Practices Guidelines.
- Product used other than for normal in-home use or product used outside of the United States and Canada.
- Damage to the product caused by accident, fire, flood, or other acts of God.
- Service calls to educate the customer in the proper use and care of the product, change fuses, or to reset the circuit breakers.
- Service calls to correct faulty installation, such as, performance issues relating to improperly sized ducting or restrictive roof caps is not covered and will by default be charged back to the homeowner.

Trade-Wind Manufacturing, LLC[®] disclaims and excludes any liability for implied warranties or for incidental or consequential damages wherever permitted by law. There are no implied warranties of merchantability or fitness for a particular use or purpose. This warranty gives you specific legal rights and you may also have other rights, which vary from state to state.

For Repair: If you need repair on your **Trade-Wind**[®] Bath Fan / Exhaust Ventilation Product, visit our website at: www.t-wusa.com and click on the "Contact Us" tab. Fill out the simple form providing the model number, date of purchase, and brief description of the problem. Proof of purchase will also be required.

Warranty Revised 06/11/18

Trade-Wind Manufacturing, LLC[®] has a policy of continuous improvements and reserves the right to modify (at any time and without notice) any or all of its products, features, designs, components and specifications. *For exact dimensions, see the Installation Instructions included with each product.* Some features may be slightly different than shown on product literature.



For more information, please contact your Trade-Wind[®] Representative



800 West Grant Street Phoenix, AZ 85007
1-800-955-5737
602-900-8500
www.t-wusa.com

